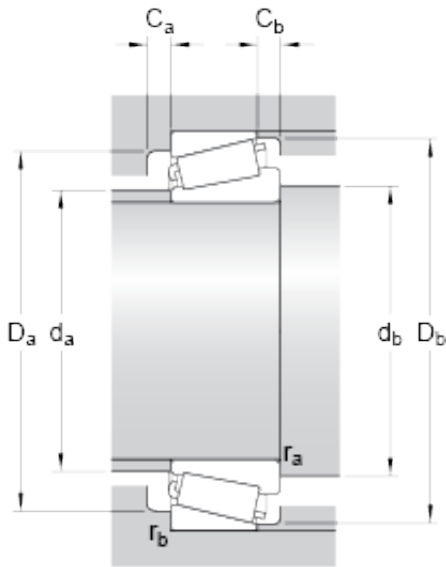




COOPER BEARING LIMITED

SKF 32315 J2/Q Taper Roller Bearings 32310, 32312, 32314

Bearing No. 32315



32315 Bearing 2D drawings and 3D CAD models

Dimension series	2GD
d	75 mm
D	160 mm
T	58 mm
d ₁	113.2 mm
B	55 mm
C	45 mm
r _{1,2} min.	3 mm
r _{3,4} min.	2.5 mm
a	37.765 mm
d _a max.	92 mm
d _b min.	88 mm
D _a min.	133 mm
D _a max.	149 mm
D _b min.	149 mm
C _a min.	7 mm
C _b min.	13 mm
r _a max.	3 mm
r _b max.	2.5 mm
Basic dynamic load rating C	416 kN
Basic static load rating C ₀	440 kN
Fatigue load limit P _u	51 kN
Reference speed	3200 r/min
Limiting speed	4300 r/min
Calculation factor e	0.35



COOPER BEARING LIMITED

Calculation factor Y	1.7
Calculation factor Y_0	0.9
Mass bearing	5.19 kg